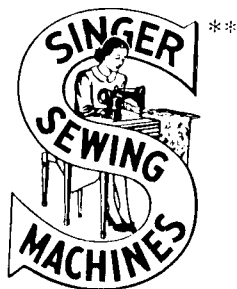


# **SINGER**

## **451K5**

ILLUSTRATED  
LIST OF PARTS  
FOR  
No. 451K5 Machine



\*\*A Trade Mark of THE SINGER MANUFACTURING CO.

# INSTRUCTIONS FOR OILING

BEFORE STARTING THE MACHINE, fill reservoir in base to "high" mark. Inspect often enough to keep oil level from going below "low" mark in base.

To ensure easy running and prevent unnecessary wear of the parts which are in movable contact, the machine requires oiling and when in continuous use, "TYPE A" or "TYPE C" OIL, sold only by Singer Sewing Machine Company, should be applied at the beginning of each working day to all oil holes marked "OIL."

**"TYPE C" OIL should be used when an oil is desired which will produce a minimum of stain on fabrics, even after a long period of storage.**

# INDEX

	Page
Accessories ... ..	12
Bobbin Winders ... ..	12
Knee Lifter ... ..	13
Machine No. 4 & K5 ... ..	5
Miscellaneous parts ... ..	14
Numerical List of Parts ... ..	15
Thread Unwinder... ..	14

# INSTRUCTIONS FOR ORDERING

In ordering from this List, the prefix and affix letters with the part number MUST BE quoted exactly as they are shown in the first column.

A number always indicates the same part in whatever List it may appear, or for whatever machine.

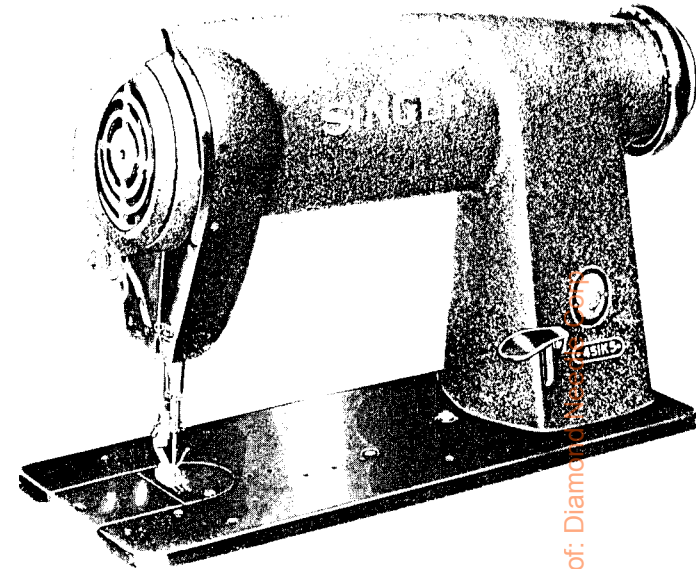
The affix letters (where shown) indicate the style of finish, as follows:—

- A. Hardened, Polished, Nickel Plated and Buffed.
- A.A. Buffed and Chromium Plated.
- A.B. Hardened, Polished, Buffed and Chromium Plated.
- A.C. Brown Baking Enamel Finish.
- A.D. Grey Baking Enamel Finish.
- A.E. Hardened, Bright Rumbled and Nickel Plated.
- A.F. Hardened, Bright Rumbled and Nickel Plated, Bright Rumbled and Chromium Plated.
- A.J. Polished, Nickel Plated and Chromium Plated.
- A.K. Hardened, Polished, Nickel Plated and Chromium Plated.
- A.L. Heat Treated for Toughness.
- A.L.D. Heat Treated for Toughness and Polished.
- A.L.X. Heat Treated for Toughness and Black Oxide.
- A.M. Beige Synthetic Enamel.
- A.N. Red Synthetic Enamel Finish.
- A.P. Blue Synthetic Enamel Finish.
- A.P.P. Grey Wrinkle Finish.
- A.R. Beige Wrinkle Finish.
- A.S. Black Moulded Phenolic.
- A.T. Beige Moulded Phenolic.
- A.U. Brown Moulded Phenolic.
- A.V. Black Synthetic Enamel.
- A.W. Hardened and Flame Coated with Tungsten Carbide.
- A.X. Grey Dipping Enamel.
- B. Polished, Nickel Plated and Buffed.
- C. Hardened only.
- C.R. Hardened and Phosphoric Treated.
- D. Polished only.
- E. Soft, not Polished.
- F. Hardened and Polished.
- F.J. Hardened, Polished and Nickel Plated.
- G. Bright Rumbled and Nickel Plated.
- H. Blued.
- J. Nickel Plated only.
- K. Hardened and Nickel Plated.
- L. Brass Plated.
- M. Oxidized.
- N. Japanned, Dull.
- P. Japanned, Bright.
- P.P. Wrinkle Finish.
- R. Phosphoric Treated.
- S. Cadmium Plated.
- T. Copper Plated.
- T.A. Hardened, Polished, Copper and Nickel Plated and Buffed.
- T.B. Copper and Nickel Plated and Polished.
- T.J. Copper and Nickel Plated only.
- T.K. Hardened, Copper and Nickel Plated.
- T.L. Copper and Brass Plated.
- T.M. Copper Plated and Oxidized.
- U. Zinc Plated.
- V. Silver Plated.
- W. Polished and Nickel Plated.
- X. Black Oxide for Iron and Steel.
- X.C. Hardened and Black Oxide for Iron and Steel.
- Y. Black Nickel Plated only.
- Z. Chromium Plated.
- Z.A. Hardened, Polished, Nickel Plated, Buffed and Chromium Plated.
- Z.B. Polished, Nickel Plated, Buffed and Chromium Plated.
- Z.C. Hardened and Chromium Plated.
- Z.D. Polished and Chromium Plated.
- Z.G. Bright Rumbled, Nickel Plated, Bright Rumbled and Chromium Plated.
- Z.J. Nickel and Chromium Plated.
- Z.T. Copper and Chromium Plated.

Parts marked with an asterisk (\*) are furnished only when the repairs are made at Factory.

# LIST OF PARTS COMPLETE

FOR



## MACHINE No. 451K5

SINGLE ROTARY THREAD TAKE-UP.

HAND OPERATED REVERSE FEED MECHANISM.

HIGH SPEED. LOCK STITCH. SINGLE NEEDLE. SHORT ARM.

FOR STITCHING LIGHT AND MEDIUM WEIGHT FABRICS

No.	Plate	Name
*276186	---	Arm
276002	18491	Cover (back)
200053h	18491	" " ( " ) Screw (2)
204235	18491	" Position Pin (2)
200004e	18491	" Screw (3)
202005	18491	" " Washer (3)
*276003	18488	" Shaft
276004	18488	" " 276003 with 200333c, 200378c, 270005 and 276021 to 276023
270004	18488	" " Ball Bearing (back)
270005	18488	" " " " (front)
270926	18488	" " Connection Belt (reinforced neoprene)

From the library of: Diamant

No.	Plate	Name
271127	18488	Arm Shaft Connection Belt Pulley with 200363al, 350492c and two 214206
350492c	18488	" " " " " Position Screw ... ..
200363al	18488	" " " " " Set Screw ... ..
214206	18488	" " " " " Spring Flange ... ..
*276187	-	Bed ... ..
270009	18491	" Slide ... ..
276007	18479	Face Plate with 276054 and four 200586h ... ..
276054	18479	" " Thread Guard ... ..
200586h	18479	" " " " Screw ... ..
350503alx	18479	" " Screw (8) ... ..
276008	18490	Feed Bar ... ..
270012	18490	" " Centre (2) ... ..
200394c	18490	" " " Set Screw ... ..
276058	18490	" " Lubricating Felt ... ..
52266	18490	" " Slide Block ... ..
52267	18490	" " " " 52266 with 125060 ... ..
*125060	18490	" " " " Stud ... ..
52031	2626	" Dog, 19 teeth (22 teeth to the inch) for 52033 ... ..
50117e	2626	" " Screw (2) ... ..
276153	18490	" Driving Connection ... ..
276154	18490	" " " 276153 with 270016 ... ..
276168	18490	" " " Crank with 200040e ... ..
350507e	18490	" " " " Hinge Screw ... ..
201531e	18490	" " " " " " Nut ... ..
200040e	18490	" " " " Pinch Screw ... ..
276169	18490	" " " Link ... ..
276170	18490	" " " " 276169 with 270653 ... ..
276171	18490	" " " " Hinge Pin with 214071 ... ..
214071	18490	" " " " " Oil Packing (wick) ... ..
200394c	18490	" " " " " Set Screw ... ..
270653	18490	" " " " Needle Bearing ... ..
270016	18490	" " " Needle Bearing ... ..
270017	18489	" " Eccentric ... ..
276188	18489	" " " Adjusting Disc ... ..
270137	18489	" " " " Spring ... ..
276009	18489	" " " " " Collar with 201220e ... ..
201220e	18489	" " " " " Set Screw ... ..
210231	18489	" " " Friction Gib ... ..
350562xc	18489	" " " " Adjusting Screw ... ..
350578xc	18489	" " " " " Set Screw ... ..
276180	18489	" " Flange with 200333c, 200346c, two each 350562xc and 350578xc ... ..

No.	Plate	Name
200333c	18489	Feed Driving Flange Position Screw ... ..
200346c	18489	" " " Set Screw ... ..
270940	18490	" " Rock Shaft with two each 200394c and 270942 ... ..
270941	18490	" " " " Centre (2) ... ..
201254c	18490	" " " " " Set Screw (2) ... ..
270942	18490	" " " " Insert (nylon) ... ..
270013	18490	" Lifting Connection ... ..
270014	18490	" " " 270013 with 270016 ... ..
270015	18490	" " " Crank with 200040e ... ..
200040e	18490	" " " " Pinch Screw ... ..
200545c	18490	" " " Hinge Screw ... ..
201522e	18490	" " " " " Nut ... ..
270016	18490	" " " Needle Bearing ... ..
270023	18489	" " Eccentric with 200382c and 201220e ... ..
201220e	18489	" " " Position Screw ... ..
200382c	18489	" " " Set Screw ... ..
270943	18490	" " Rock Shaft with 52267 and two 270942 ... ..
270944	18490	" " " " Centre (2) ... ..
201254c	18490	" " " " " Set Screw (2) ... ..
270942	18490	" " " " Insert (nylon) ... ..
270140	18489	" Regulating Stud ... ..
240245	18489	" " " Retaining Spring ... ..
270026	18489	" " " Spring ... ..
276157	18490	" Reversing Lever with 350477c ... ..
276158	18490	" " " Connection ... ..
201107e	18490	" " " " Hinge Screw (lower) ... ..
350509e	18490	" " " " " " Nut (upper) ... ..
201520h	18490	" " " " " " ( " ) Nut ... ..
276160	18490	" " " Handle ... ..
200575h	18490	" " " " Screw ... ..
201529h	18490	" " " " " Nut ... ..
276159	18490	" " " Hinge Pin ... ..
350477c	18490	" " " " " Set Screw ... ..
350569	"	" " Stop Pin ... ..
201524	"	" " " Nut ... ..
276181	18490	" " Mechanism Support Link ... ..
276182	18490	" " " " Stud ... ..
200346c	18490	" " " " " Set Screw ... ..
276189	18490	" " Shaft with 276191 ... ..
276162	18490	" " " Bushing (back) ... ..
276179	"	" " " (front) ... ..
200382c	18490	" " " Set Screw (2) ... ..
276163	18490	" " Crank with 200040e and 200386c ... ..
276164	18490	" " " Hinge Stud with 276046 ... ..
276046	18490	" " " " " Oil Packing (wick) ... ..
200386c	18490	" " " " " Set Screw ... ..

No.	Plate	Name			
276165	18490	Feed Reversing Shaft Crank Link with 200394c	...	...	...
200040e	18490	" " " " Pinch Screw	...	...	...
276190	18490	" " " " Spring	...	...	...
276191	18490	" " " " Stud	...	...	...
276014	18478	Knee Lifter Lifting Link	...	...	...
200293al	18478	" " " " Hinge Screw	...	...	...
276015	18491	" " " " Rod with 202302	...	...	...
202302	18491	" " " " Cotter Pin	...	...	...
276016	18491	" " " " Spring	...	...	...
227227	18491	" " " " " Collar with 200113f	...	...	...
200113f	18491	" " " " " Set Screw	...	...	...
276017	18491	" " Rock Frame	...	...	...
200679f	18491	" " " " Hinge Screw (back)	...	...	...
200272c	18491	" " " " " (front)	...	...	...
276192	18488	Machine Pulley (aluminium alloy casting) for "X" belt (outside diam. of belt groove 2.9 in.) (rim diam. 4 in.) with 350540c and 350541c	...	...	...
276193	18488	Machine Pulley 276192 with 270004	...	...	...
350540c	18488	" " Position Screw	...	...	...
350541c	18488	" " Set Screw	...	...	...
270050	18478	Needle Bar with 350445f	...	...	...
270124	18478	" " Bushing (lower)	...	...	...
270261	18478	" " " (upper)	...	...	...
350550al	18478	" " " ( " ) Set Screw	...	...	...
276018	18478	" " Connecting Link	...	...	...
276019	18478	" " " " 276018 with 270266	...	...	...
270055	18478	" " " " Guide Block	...	...	...
200054e	18478	" " " " " " Screw (2)	...	...	...
276020	18478	" " " " Hinge Stud	...	...	...
276021	18488	" " " " " Oiling Felt	...	...	...
276022	18188	" " " " " " " Flange	...	...	...
276053	18488	" " " " " " " " Oil Leader Tube	...	...	...
200374c	18488	" " " " " " " Set Screw	...	...	...
270266	18478	" " " " " Needle Bearing	...	...	...
270305	18478	" " " " " Thrust Washer	...	...	...
270057	18478	" " " " " Stud with 200086c and 202330	...	...	...
202330	18478	" " " " " Oil Packing (wick)	...	...	...
200086c	18478	" " " " " Pinch Screw	...	...	...
*276023	18488	" " Crank with two 200374c	...	...	...
200333c	18488	" " " " " Position Screw	...	...	...
200378c	18488	" " " " " Check Screw	...	...	...
270058	18478	" " Oiling Felt	...	...	...
350445f	18478	" Set Screw	...	...	...

No.	Plate	Name			
276024	18478	Presser Bar with 176x	...	...	...
276025	18478	" " Ball, $\frac{7}{32}$ " diameter	...	...	...
276026	18478	" " Bushing	...	...	...
276027	18478	" " Lifter	...	...	...
350442c	18478	" " " Hinge Screw	...	...	...
276028	18478	" " Lifting Releasing Lever Bracket	...	...	...
276029	18478	" " Position Guide with 350411c	...	...	...
350411c	18478	" " " " Pinch Screw	...	...	...
276030	18491	" " Spring	...	...	...
350435c	18491	" " " " Screw (pressure regulating)	...	...	...
350499xc	18491	" " " " Stud	...	...	...
62527	2626	" Foot Hinge Pin	...	...	...
24544	2626	" " Plate	...	...	...
24982	2626	" " Shank	...	...	...
26231	2626	" " Spring	...	...	...
24983	2626	" " (spring hinged) complete, Nos. 24544, 24982, 26231 and 62527	...	...	...
176x	18478	" " Screw	...	...	...
276031	18479	Rotary Take-up	...	...	...
276932	18479	" " Adjusting Disc	...	...	...
276033	---	" " " " 276032 with 276035 and two 200582h	...	...	...
276034	18479	" " Clamping Plate	...	...	...
200567h	18479	" " " " Screw (2)	...	...	...
276035	18479	" " Counter Balance	...	...	...
200582h	18479	" " " " Screw	...	...	...
276036	18479	" " Guard	...	...	...
276039	18479	" " " Bracket	...	...	...
200031x	18479	" " " " Screw (long)	...	...	...
200069x	18479	" " " " " (short)	...	...	...
276037	18479	" " " " Cover	...	...	...
276056	18479	" " " " Friction Plate	...	...	...
200166h	18479	" " " " " " Screw	...	...	...
276038	18479	" " " " Grill	...	...	...
200138d	18479	" " " " " Screw (3)	...	...	...
200263xc	18479	" " " " Hinge Screw	...	...	...
67425	18479	" " " " " " Spring Washer	...	...	...
230743c	18479	" " " " " " Thrust Washer	...	...	...
350586xc	18479	" " " " " Screw (2)	...	...	...
200577al	18479	" " " " " Screw (3)	...	...	...
276043	18479	" " " " Spacer	...	...	...
270868	18379	Rotating Hook with 143301, 270878 and two 1253al	...	...	...
270869	18379	" " 270868 with 270874xc and four 1053e	...	...	...
270870	18379	" " 270869 with 270872, 270876 and three 1367e	...	...	...
270871	18379	" " 270870 with 52237	...	...	...

No.	Plate	Name
270010	18379	Rotating Hook Bobbin
52235	18379	" " " Case
52236	18379	" " " " 52235 with 591f, 1380e and 40394
40393	18379	" " " " Hinge, Nos. 2974, 40392 and 125320
270872	18379	" " " " Holder (chromium plated)
52048	18379	" " " " " Position Bracket
200077d	18379	" " " " " " " " Screw
40392	18379	" " " " " Latch
125320	18379	" " " " " Lever
2974	18379	" " " " " Fulcrum Pin
2975	18379	" " " " " Spring
592e	18379	" " " " " Stop Screw
40394	18379	" " " " " Tension Spring
591f	18379	" " " " " " " " " " Regulating Screw
1380e	18379	" " " " " " " " " " Screw
52237	18379	" " " " " complete, Nos. 592e, 2975, 40393 and 52236
270873	18379	" " " " " 52237 with 270872
276044	18489	" " " " " Driving Shaft
270032	18489	" " " " " Ball Bearing
276045	18489	" " " " " Bushing with 276046
276046	18489	" " " " " " Oil Packing (wick)
200346c	18489	" " " " " " Set Screw
270169	18489	" " " " " Connection Belt Pulley with 214206 and two 200070c
200070c	18489	Rotating Hook Driving Shaft Connection Belt Pulley Set Screw
214206	18489	" " " " " " " " " " Spring Flange
276047	18489	" " " " " Gear (internal teeth) with 200382c and 201220c
201220c	18489	" " " " " " Position Screw
200382c	18489	" " " " " " Set Screw
270036	18489	" " " " " Oil Lead Wire
270879	"	" " " Oil Guard
276177	18491	" " " " Reservoir Cover
276178	18491	" " " " " Gasket
200041x	18491	" " " " " " Screw (6)
270878	"	" " " Retaining Washer (felt)
143301	18379	" " " " Wick (felt)
270876	18379	" " " Section
1367c	18379	" " " " Screw
1253al	18379	" " " Set Screw
276059	18489	" " " Shaft
270163	18489	" " " Bushing
268258	18489	" " " " Oil Packing (wick)
200346c	18489	" " " " Set Screw

No.	Plate	Name
270164	18489	Rotating Hook Shaft End Bearing
201215d	18489	" " " " " " Screw
202423	18489	" " " " " Oil Filter Wick
276061	18489	" " " " " " " Holder
276062	18489	Rotating Hook Shaft Oil Filter, complete, Nos. 202423 and 276061
350498c	18489	Rotating Hook Shaft Oil Regulating Screw
270044	18489	" " " " " Thrust Washer
276060	"	Rotating Hook Shaft Bushing, complete, Nos. 268258, 270044, 270163, 270164, 276059, 276062, 350498c and two 201215d
270874xc	18379	Rotating Hook Thread Guard
1053c	18379	" " " " " " " Screw
2102	18479	Tension Disc
276048	18478	" Releaser (adjustable)
200132c	18478	" " " Screw
32572	18479	" Releasing Disc
270086	18479	" " " Pin
13710	18479	" Spring
50304c	18479	" Stud
52098	18479	" " " 50304c with 1560c
50305c	18479	" " " Set Screw
276055	18479	" Thread Guide Pin
1560c	18479	" Thumb Nut
276049	18479	Tension, complete, Nos. 13710, 32572, 39652, 52083, 52098, 270086 and two 2102
276050	18479	Thread Cutter
200583h	18479	" " " Screw
276051	18479	" Guide
263418	18478	" " " (on Needle Bar Bushing)
350503ax	18479	" " " Screw
276057	18478	" Pull-off
200145c	18478	" " " Screw (2)
276052	18479	" Retainer (front)
200397h	18479	" " " ( " ) Set Screw
270080	18479	" " " (rear)
200366h	18479	" " " ( " ) Set Screw
39652	18479	" Take-up Spring
52083	18479	" " " " Regulator with 50305c
453xc	18479	" " " " " Set Screw
52033	2626	Throat Plate (small needle hole) for 52031
691f	2626	" " " Screw (2)

## ACCESSORIES

No.	Plate	Name
25878	2627	Cloth Guide
50190	2627	" " Thumb Screw
228478	18311	Drip Pan with four $\frac{3}{4}$ " wire nails
12361	2627	Machine Hinge Connection (2)
41400	2627	" Rest Pin (wood)
88-1	-	Needles, six, size 16
120342	2627	Oiler (copper plated) with 120343
120343	2627	" Spout ( $3\frac{1}{2}$ " long)
270010	18379	Rotating Hook Bobbin (2)
270155	18489	" " Oil Reservoir Oil Gauge
120378	2627	Screw Driver (Bobbin Case)
85318	2627	Screw Driver
		Tin of Oil ( $\frac{1}{2}$ pint)
240566		Wrench

## PRESSER FOOT (for General Work)

No.	Plate	Name
86659		Presser Foot Plate
86660		" " Shank
86661		Presser Foot (hinged), complete, Nos. 86659 and 86660

## BOBBIN WINDER

(Swinging Automatic, Right Hand)  
For "V" Belt Drive

No.	Plate	Name
259428	2624	Brake (leather)
259429	2624	" Clamp
200113f	2624	" " Screw
225453	2624	Frame with 202277 and 259660
225454	2624	" Hinge Pin
202277	2624	" Oil Packing (wick)
259660	2624	" " Well Washer
225455	2624	" Spring
225456	2624	" " Plunger
101211	2624	Pulley with 200380c
200380c	2624	" Set Screw
225381	2624	Spindle

## ACCESSORIES

No.	Plate	Name
225444	2624	Stop Latch
200056e	2624	" " Screw
225458	2624	" " Thumb Lever
225459	2624	" " " " Hinge Stud
225459	2624	" " " " Joint Stud
202478	2624	" " Trip Lever
200299h	2624	" " " " Hinge Screw
225461	2624	Tension Bracket with 201499h
200082d	2624	" " " Screw
228026	2624	" " " Washer
2102	2624	" " Disc
13710	2624	" Spring
201499h	2624	Tension Stud
201572h	2624	" " Thumb Nut
225462	2624	Bobbin Winder Tension Bracket complete, Nos. 13710, 201572h, 225461 and two 2102
259430	2624	Bobbin Winder and Tension Bracket Base
104212	2624	Bobbin Winder (swinging automatic, right hand), complete, Nos. 104211, 200056e, 200082d, 200113f, 200299h, 202478, 225381, 225444, 225453 to 225456, 225458, 225462, 228026, 259428 to 259430, two each 225459 and wood screws $\frac{3}{4}$ " No. 12 R.H.B.

## KNEE LIFTER

No.	Plate	Name
228713	18311	Rock Lever with two 350231c
228707	18311	" " Bracket with 200347c and three wood screws $\frac{3}{4}$ " No. 12
228709	18311	" " " 228707 with 228363, 228367, 228386, 228455 and 228713
228370	18311	" " Extension with 200530c
350231c	18311	" " " Set Screw
228363	18311	" " Hinge Pin
228364	18311	" " Knee Plate with 350231c
228388	18311	" " " " Arm
350231c	18311	" " " " Set Screw
350231c	18311	" " " " Set Screw
228455	18311	" " Position Spring
228365	18311	" " Rod
200530c	18311	" " " Set Screw
228386	18311	" " Spring
228367	18311	" " Stop Stud
200347c	18311	" " " " Set Screw
228710	18311	Knee Lifter Rock Lever, complete, Nos. 228364, 228365, 228370, 228388 and 228709

(Other Knee Lifter parts are listed with parts of Machine Head)

From the Library of: Diamond Needle Corp.



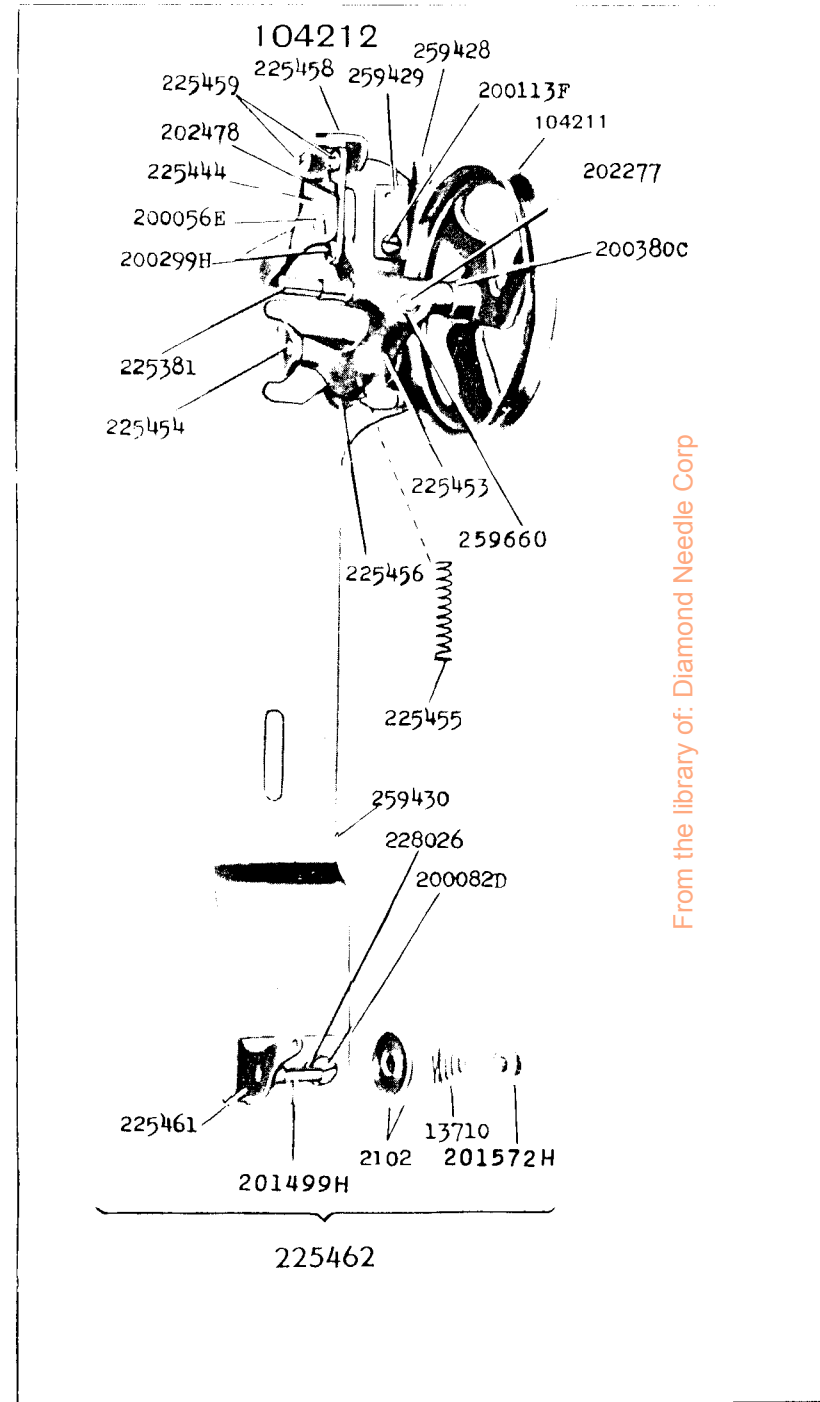
## THREAD UNWINDER

No.	Plate	Name
228692	18362	Spool Pin ... ..
201528h	18362	" " Nut ... ..
228693	18362	" " Washer ... ..
225257	18362	" Rest (for two spools) (flat) with 201018c, two each 201528h, 228692 and 228693 ... ..
150203	18362	Spool Rest Cushion (felt) ... ..
225388	18362	" " Rod ... ..
200383c	18362	" " " Set Screw ... ..
201018c	18362	" " Set Screw ... ..
259658	18362	" Stand with 200383c ... ..
225391	18362	Thread Guide ... ..
201696h	18362	" " Lock Nut ... ..
225326	18362	" " Position Cup ... ..
225324	18362	" " Rod with 208al and 225322 ... ..
208al	18362	" " " Screw ... ..
225322	18362	" " " Washer ... ..
225258	18362	Thread Unwinder (for two spools), complete, Nos. 201696h, 225257, 225324, 225326, 225388, 259658, two each 150203, 225391 and three wood screws $\frac{3}{8}$ " No. 12 ... ..

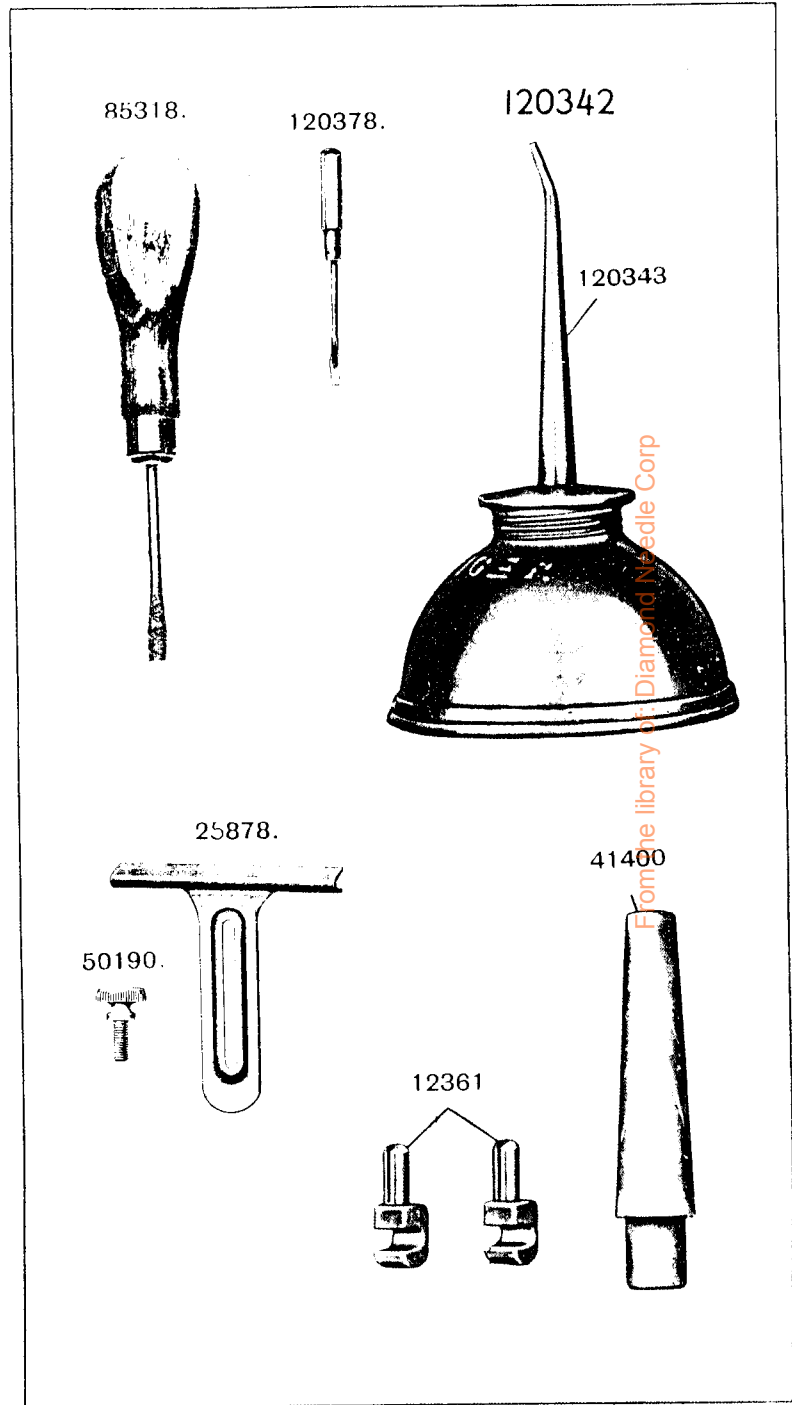
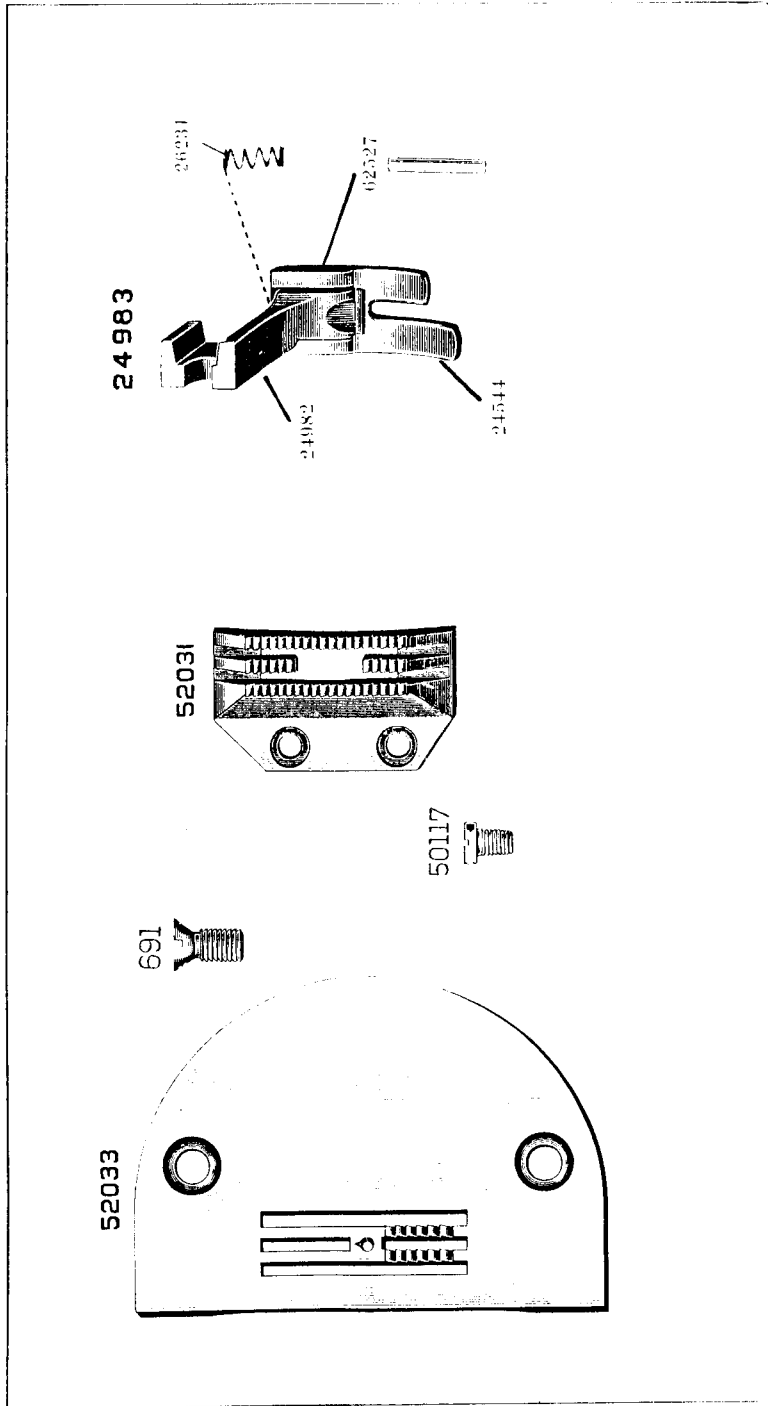
## MISCELLANEOUS PARTS

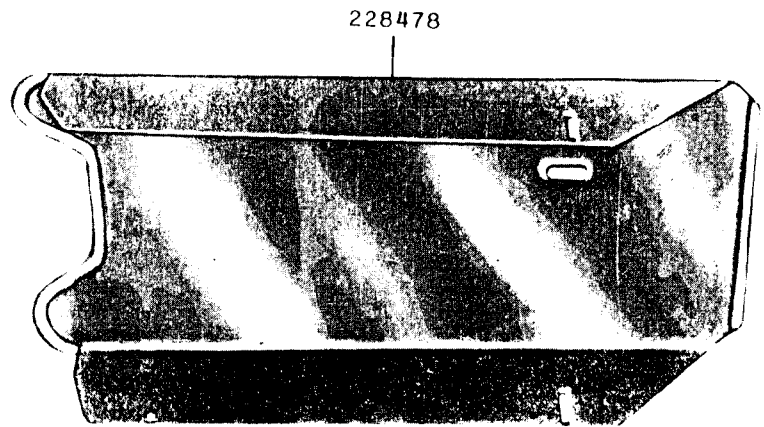
Used in conjunction with Thread Unwinder

No.	Plate	Name
259370	18362	Spool Pin ... ..
259378	18362	" " Arm with 217e and 259379 ... ..
232896	18362	" " " Bracket with two 448al ... ..
448al	18362	" " " " Set Screw ... ..
448al	18362	" " " Set Screw ... ..
259371	18362	" " Cap (bakelite) ... ..
1010f	18362	" " " Hinge Screw ... ..
259379	18362	" " Retaining Spring ... ..
217e	18362	" " " " Screw ... ..
259372	18362	" " Washer ... ..
259373	18362	Spool Pin, complete, Nos. 1010f and 259370 to 259372 ... ..
60913	18362	Spool Weight with 60914 ... ..
60914	18362	" " Centre Pin ... ..
225377	18362	" Wire, for small spools ... ..
27739	18362	Thread Cone (wood) ... ..
225390	18362	" " Holder ... ..

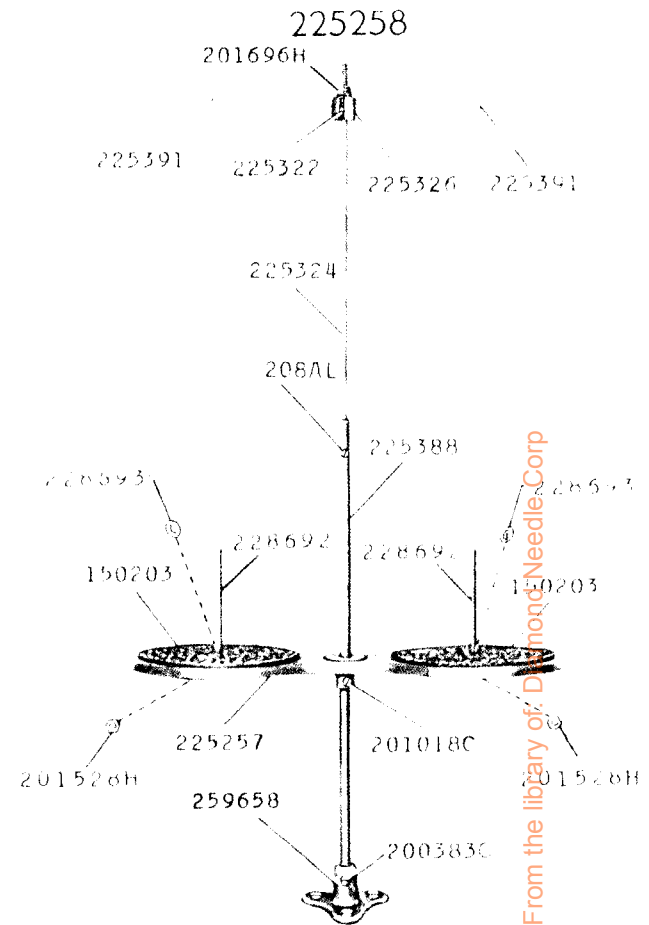
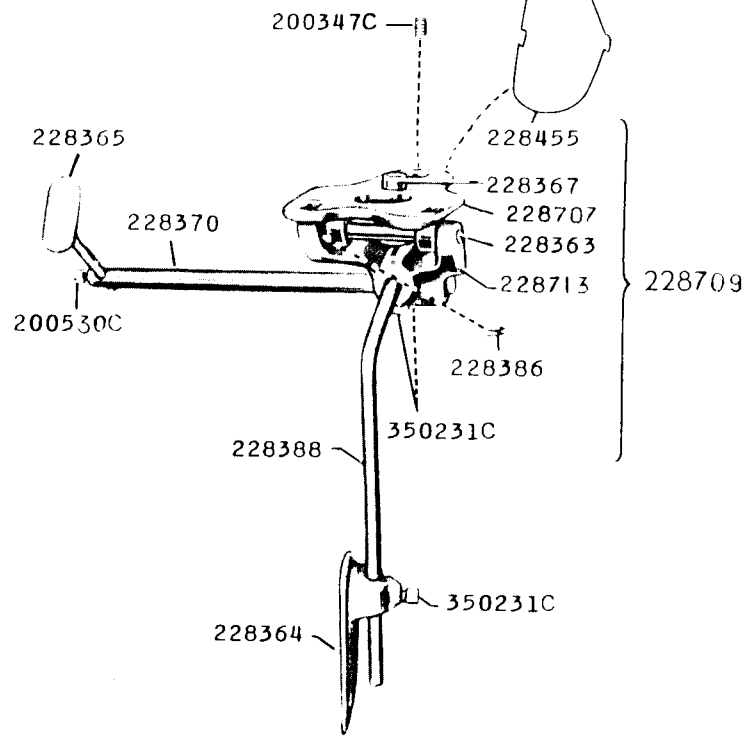


From the library of: Diamond Needle Corp

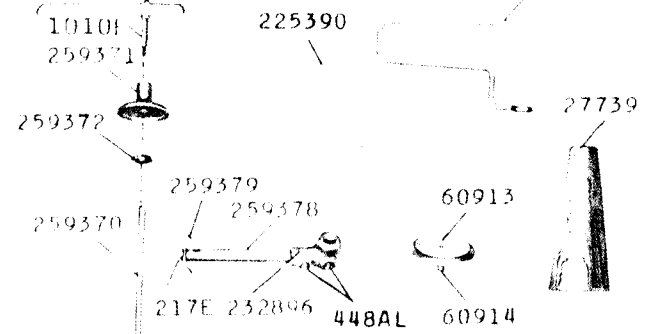


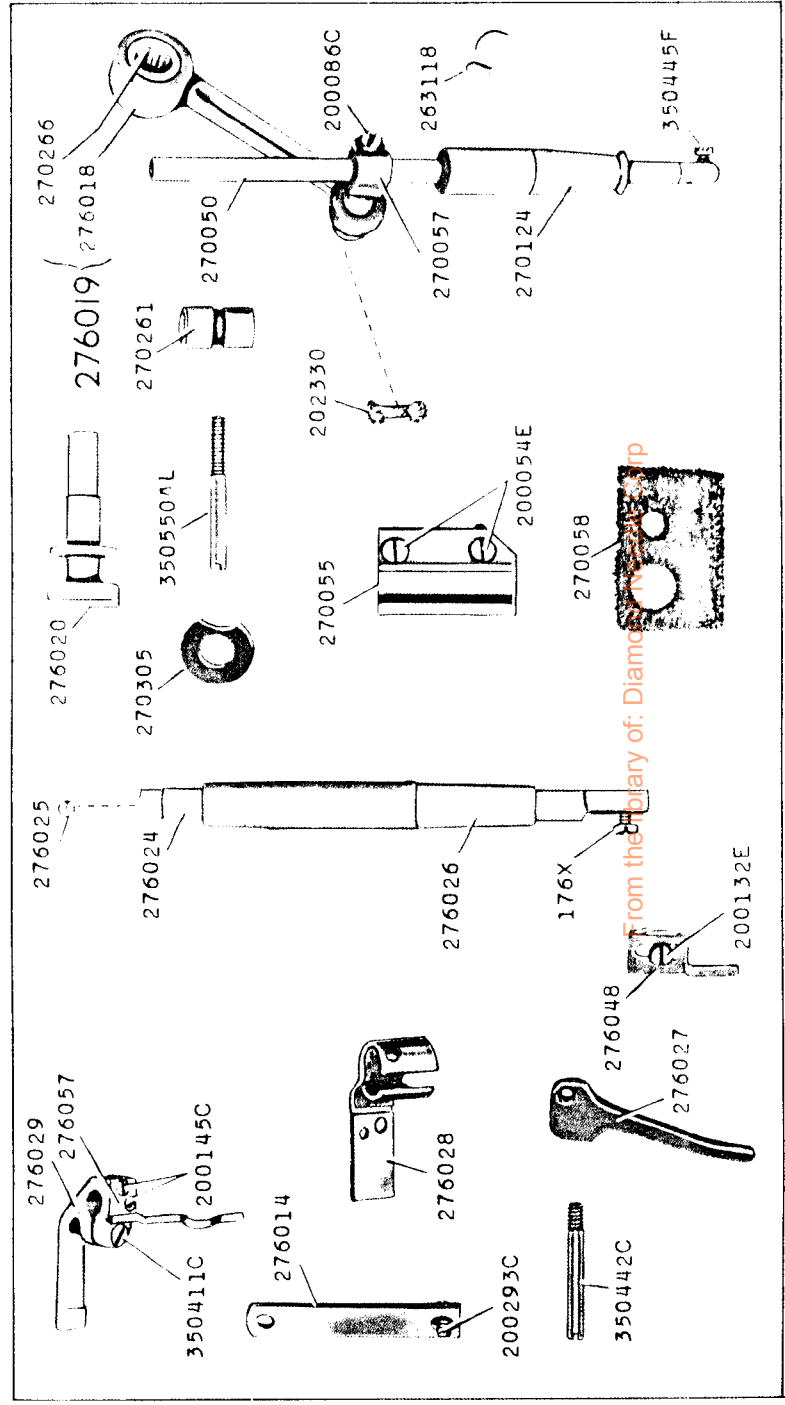
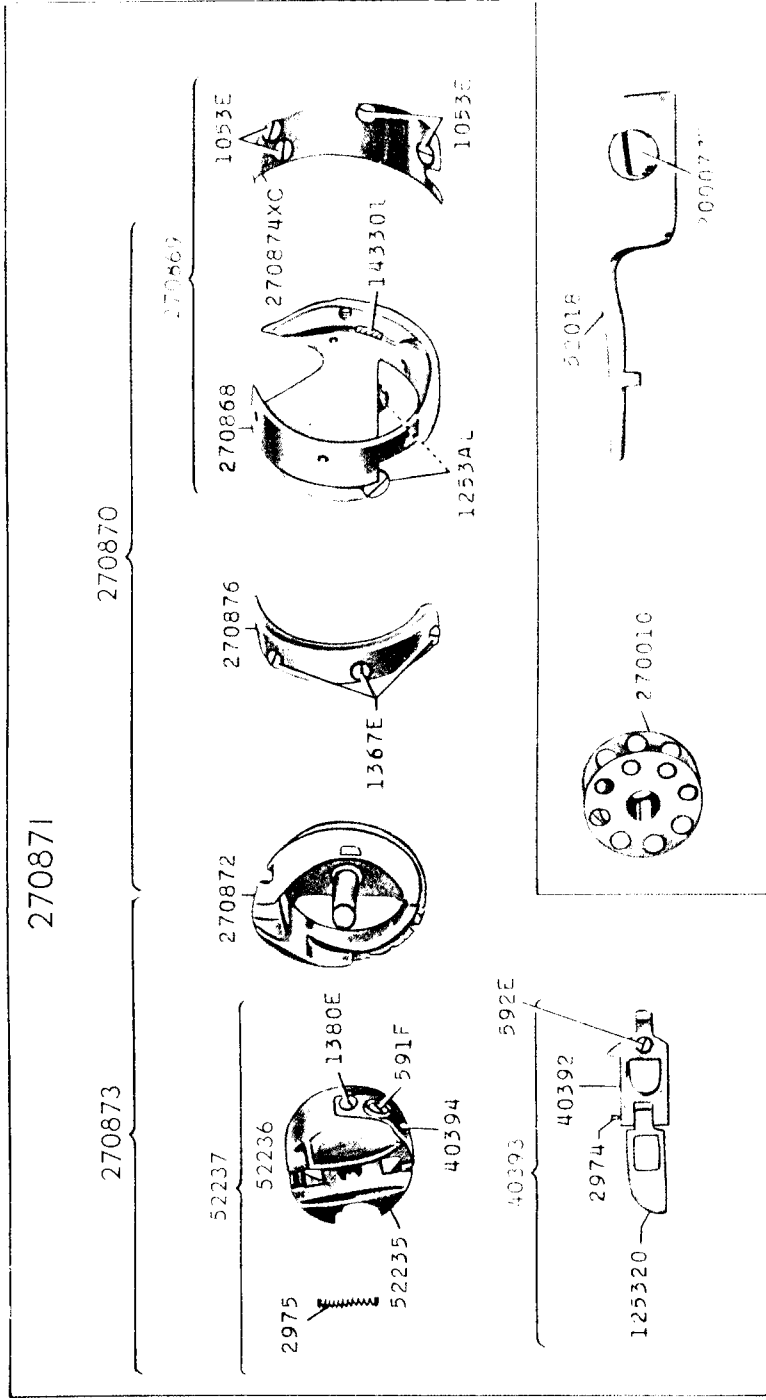


228710

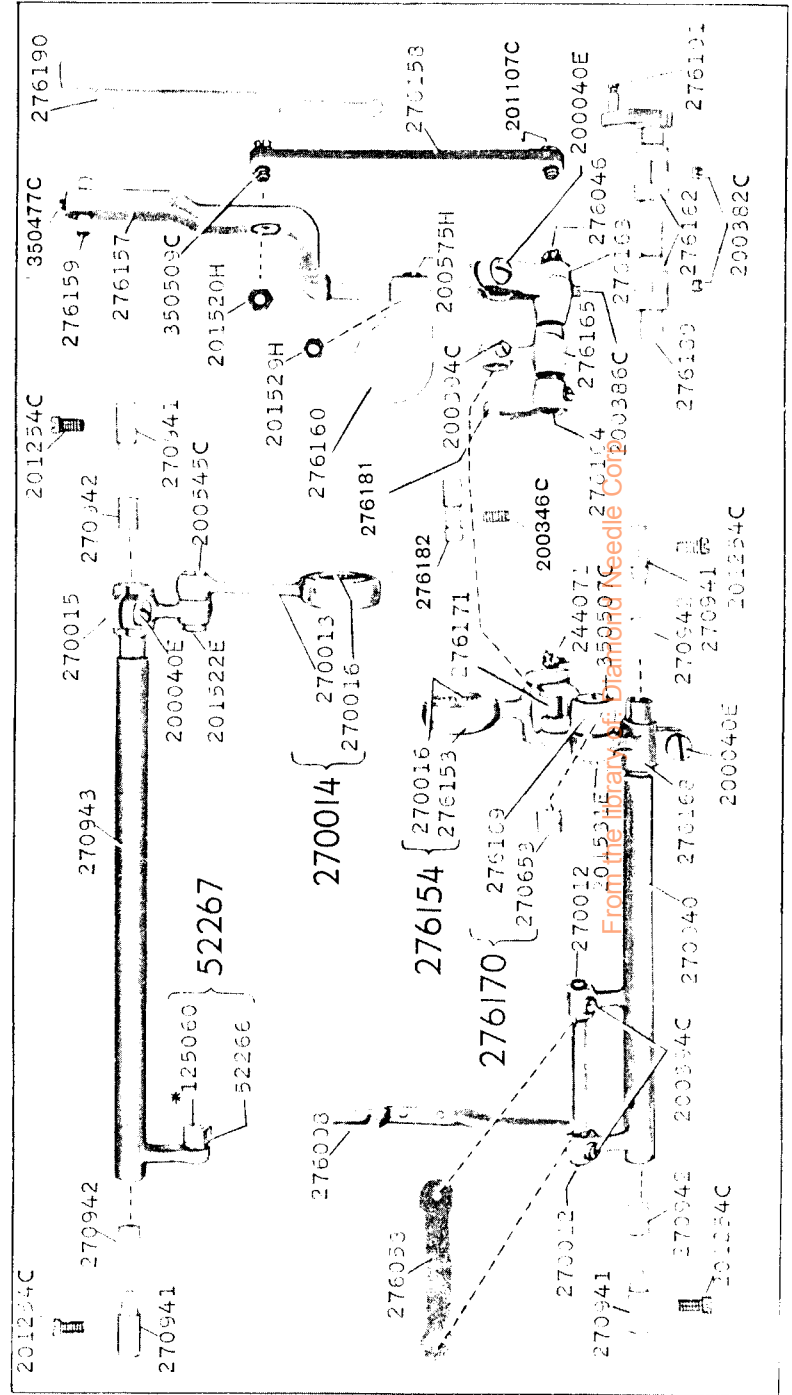
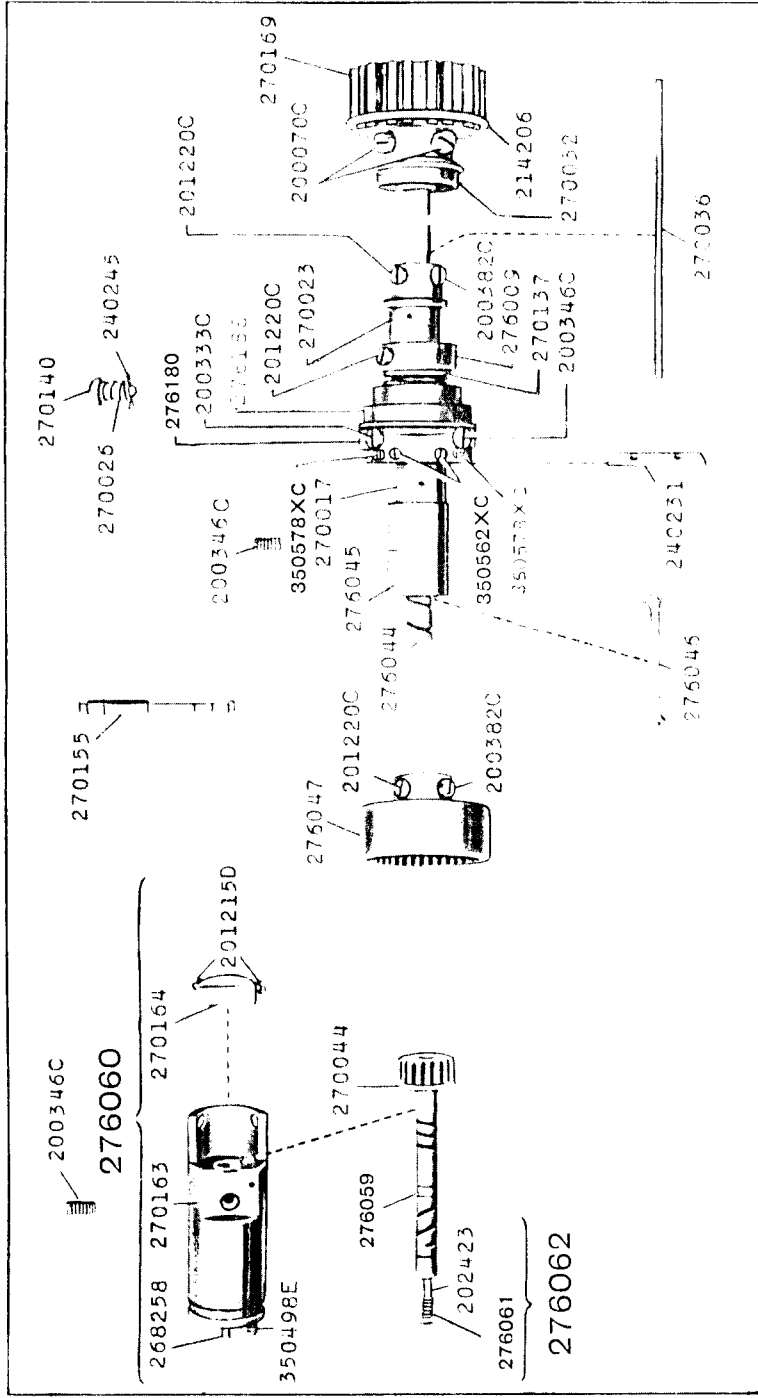


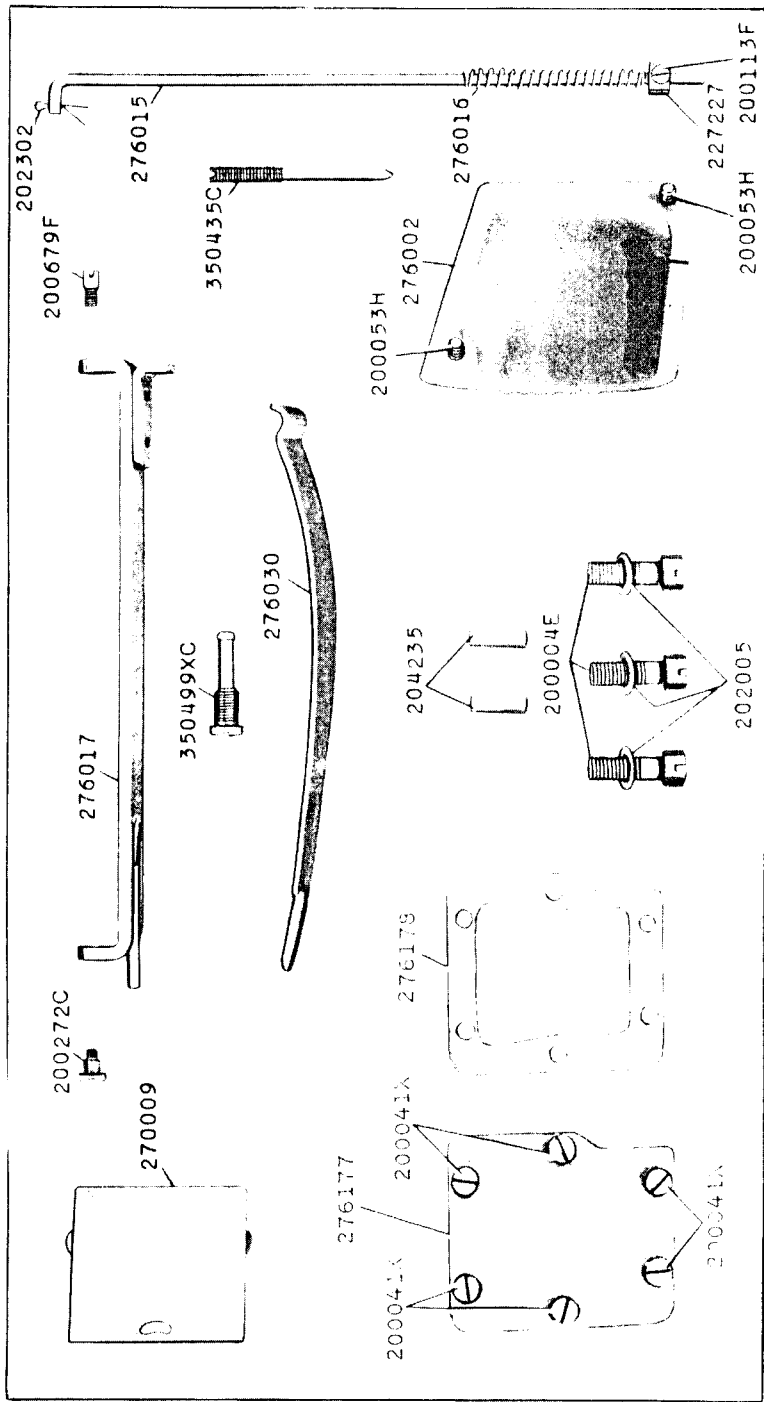
259373











From the library of: Diamond Needle Corp